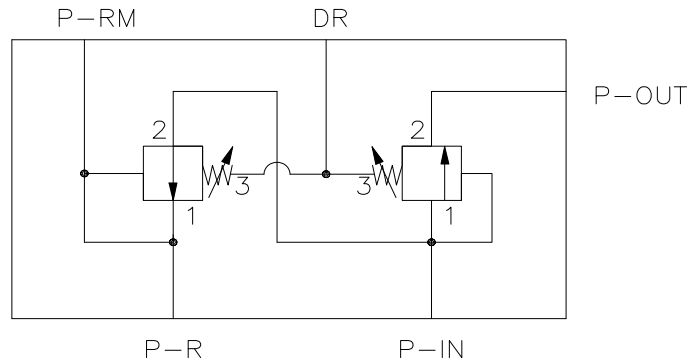


HYDRAULIC

Pilot valve block

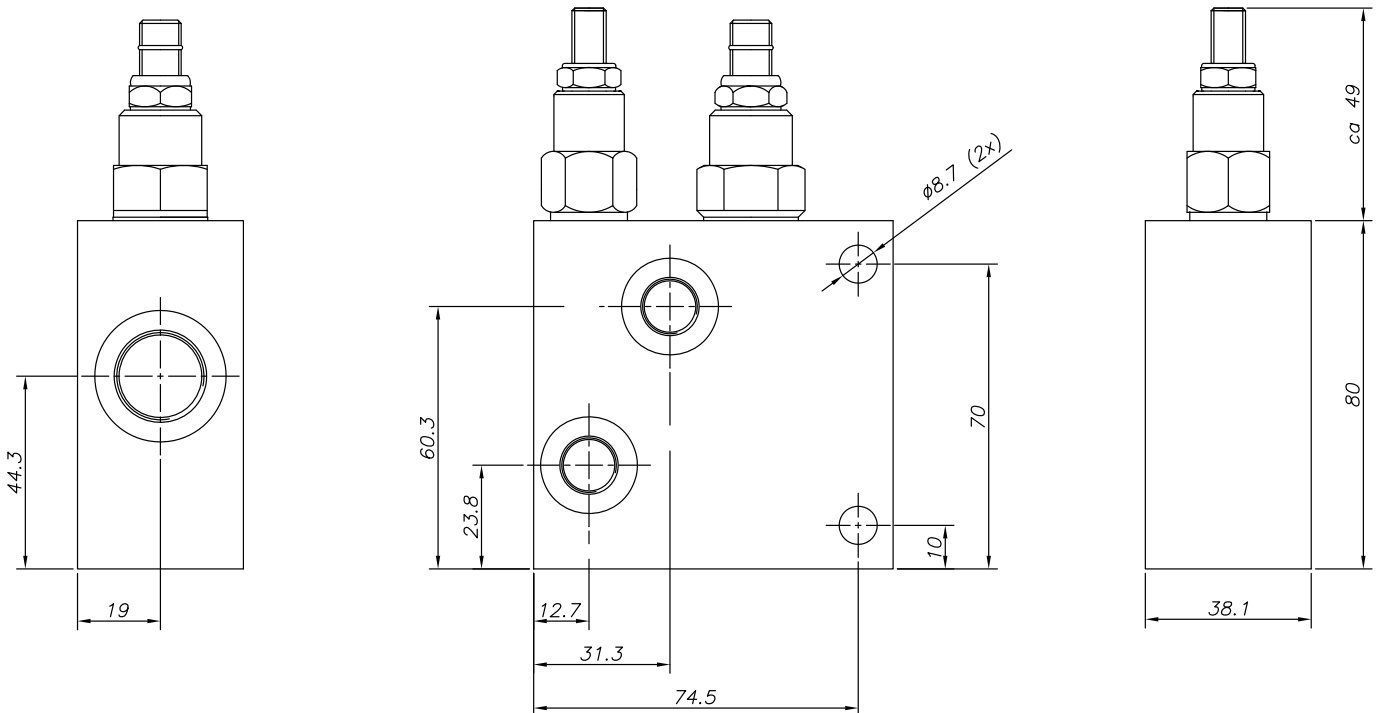
Hydraulic valve series 8681xx
 Max supply: 210 bar
 Output pressure, 20-35 Bar.



Selection table

Part no:		Description
868188	A	Pilot valve block, 20-35 bar
868191	–	Pilot valve block, 20-35 bar, with filter.
868192	–	Pilot valve block, 20-35 bar, with filter, and check valve.
–	–	–
–	–	–

Dimensions



Housing: aluminium, anodized.
 Sealings (o-rings): NBR.
 Weight: 900g.

Port:
 P OUT & P IN = ISO G3/4
 P REG & DR = ISO G1/4