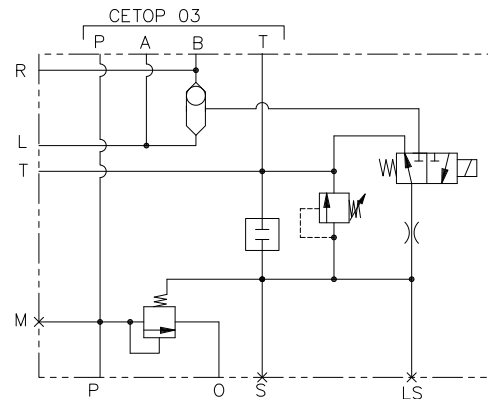


# HYDRAULIC VALVES

## Valve block steering

Hydraulic valve series 86855x-xx

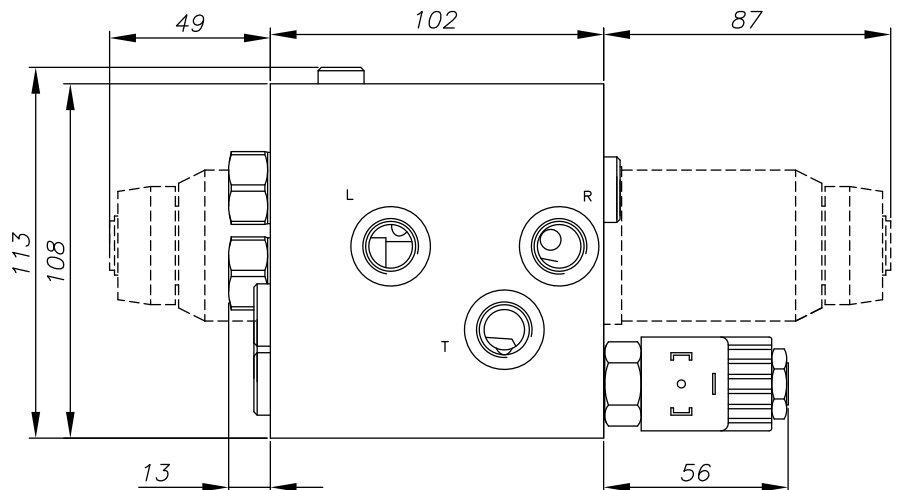
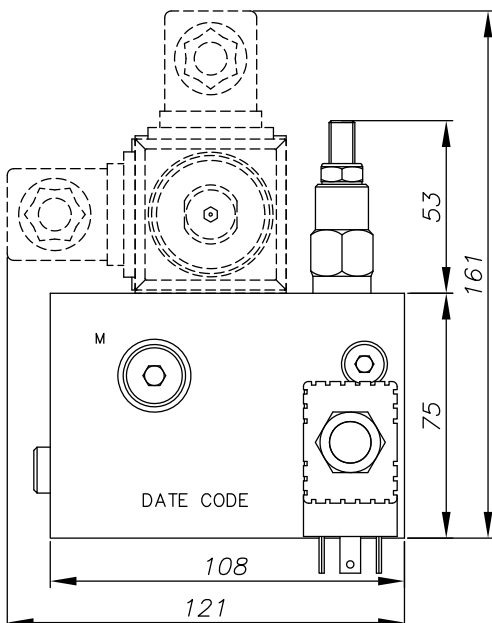
Valve block for miniwheel steering, and lever steer



### Selection table

Part no:		Description
868557	—	Valve block steering, open center system.
868558	—	Valve block steering, load sensing system.
—	—	—
—	—	—
—	—	—

### Dimensions



Housing: aluminium, anodized.  
Sealings (o-rings): NBR.  
Weight: 1500g.

Port:

M & LS ISO-G 1/4  
R, L & T ISO-G 3/8  
P & O ISO-G 1/2