

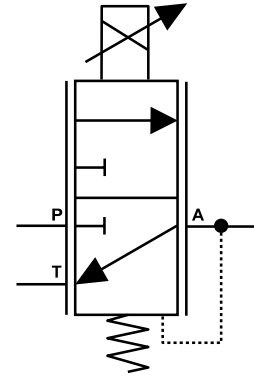
# HYDRAULIC VALVES

## Proportional valve

Hydraulic proportional valve series 86854x-xxxx

Supply pressure, 35-40 Bar, (50 bar max).

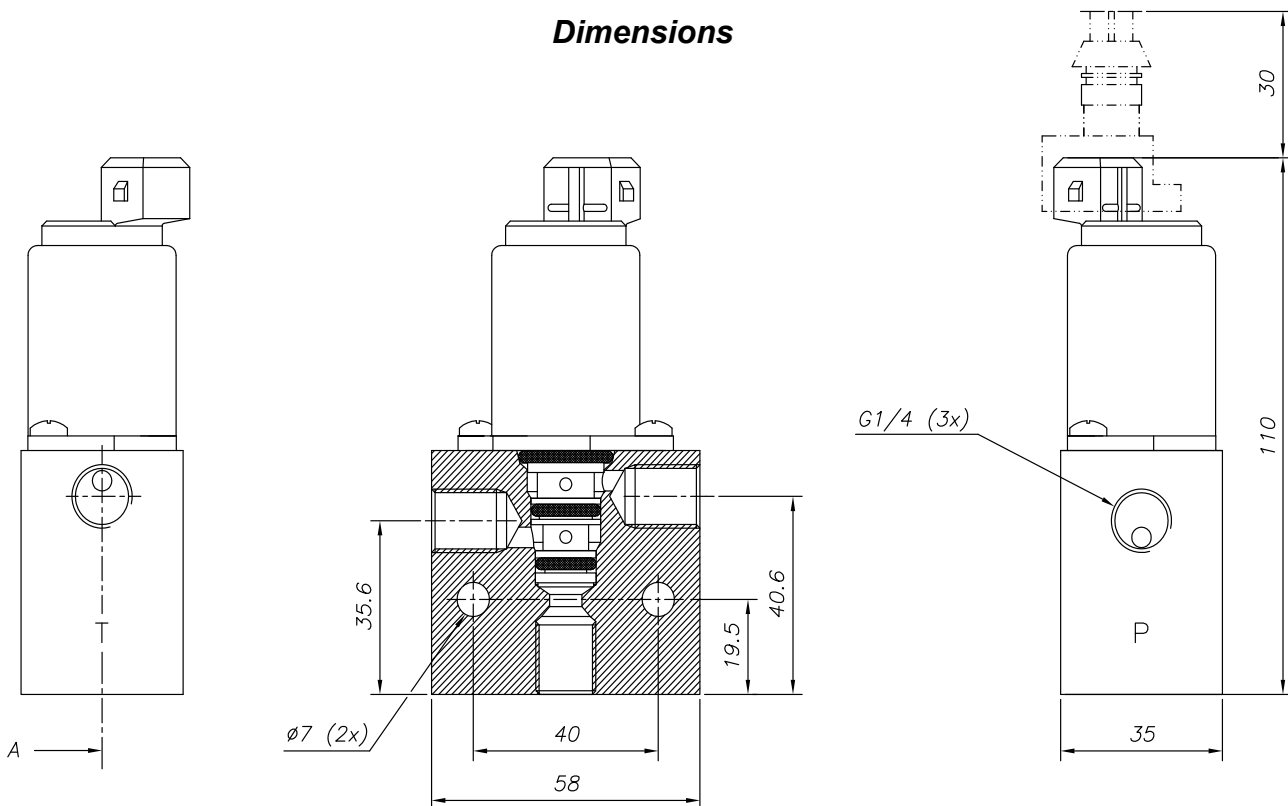
Regulated pressure 0-32\* bar, (\*depending on valve).



### Selection table

Part no:		Description
868540	0 112	Proportional valve 12Vdc, (25bar).
868541	0 124	Proportional valve 24Vdc, (25bar).
868541	0 212	Proportional valve, 9/16-18UNF 12Vdc, (25bar)
-	-	-
-	-	Other versions available on request

### Dimensions



Housing: aluminium, anodized.

Sealings (o-rings): NBR.

Weight: 500-3000g, depending on number of cartridges .