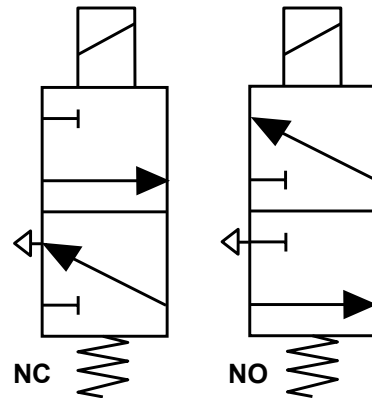


PNEUMATIC VALVES

8686xx valve

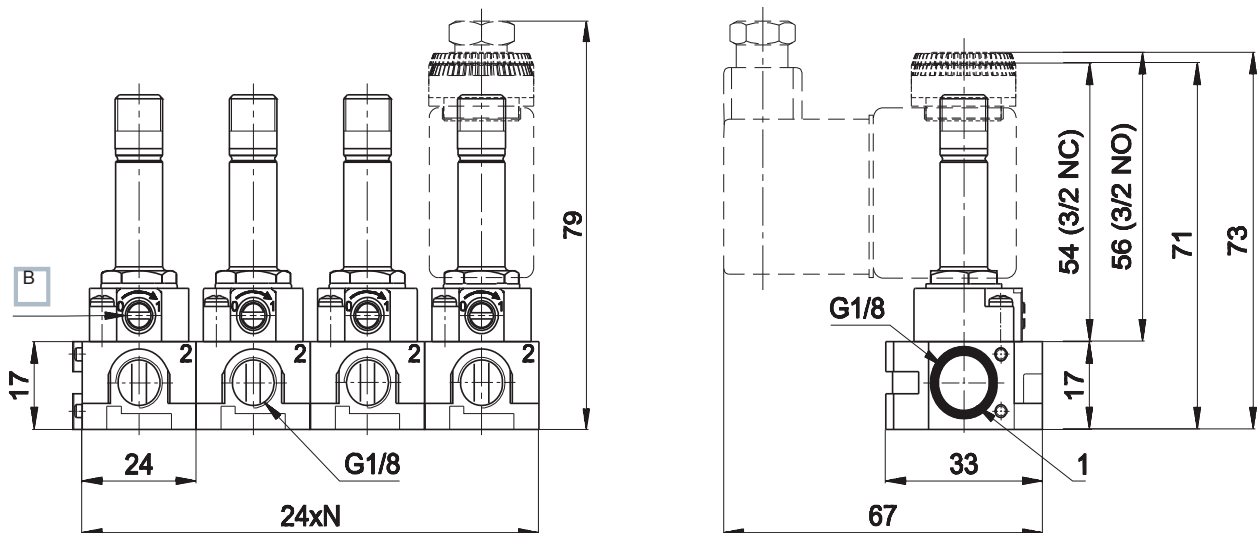
Solenoid valve series 8686xx.
Operating pressure, 3-10 Bar.



Selection table

Part no:		Description
868630	–	Solenoid valve normally closed, 24Vdc
868631	–	Solenoid valve normally open, 24Vdc
868640	–	Solenoid valve normally closed, 12Vdc
868641	–	Solenoid valve normally open, 12Vdc
–	–	–

Dimensions



Housing, (sleeve): treated brass
Core and springs: stainless steel
Base: Zamak
Seals: NBR.
Weight: 90g (one section).

Connections

1	Inlet	G 1/4"
2	Outlet	G 1/4"
3	Pilot	G 1/8"
4	Exhaust	G 1/8"