

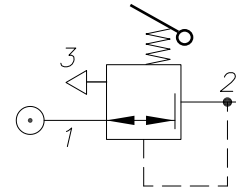
PNEUMATIC VALVES

Pneumatic handvalve

Pneumatic handvalve series 8723xx.
Operating pressure, 4-10 Bar.
Regulated output proportional, 0-8 Bar.



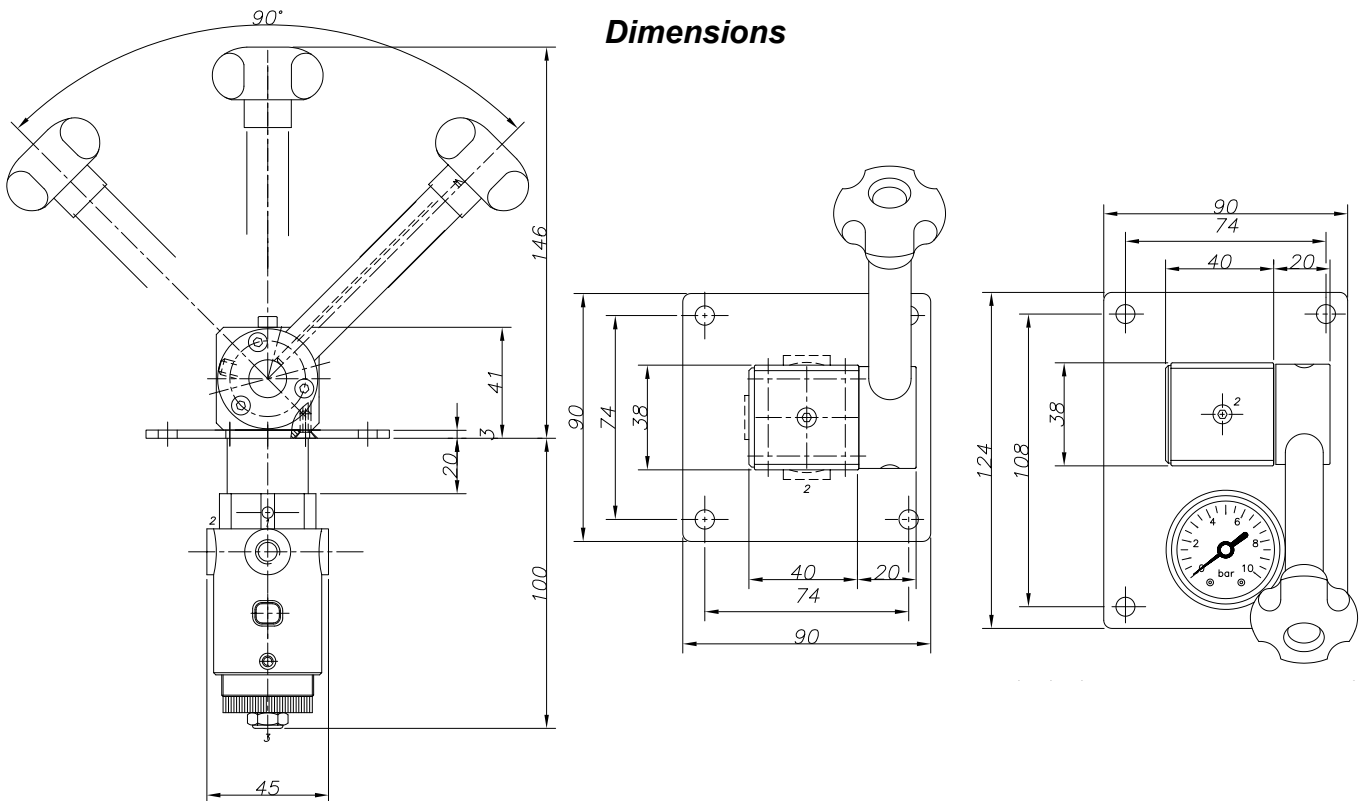
ISO-symbol



Selection table

Part no:		Description
872300	-42	Pneumatic handvalve, 0-4,2 Bar.
872300	-58	Pneumatic handvalve, 0-5,8 Bar.
872300	-80	Pneumatic handvalve, 0-8 Bar.
872350	-68	Pneumatic handvalve with pressure gauge, 0-6,8 Bar.
?	?	Other versions available on request

Dimensions



Valve housing: Brass. Lever housing: aluminium, anodized black. Lever: POM black. Sealings (o-rings): NBR, Piston sealing: Viton. Piston rod: stainless steel/brass. Mounting plate: steel, galvanized black. Weight: 900-1100g. Flow rate: 300 L/min - 6,9 Bar

Connections

1	In	G 1/8"
2	Out	G 1/8"
3	Exhaust	Filter