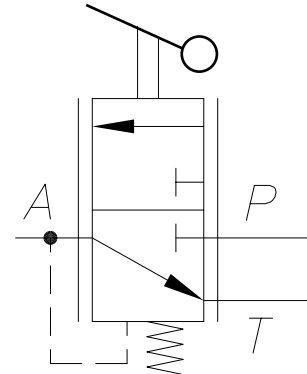


# HYDRAULIC VALVES

## Hydraulic handvalve

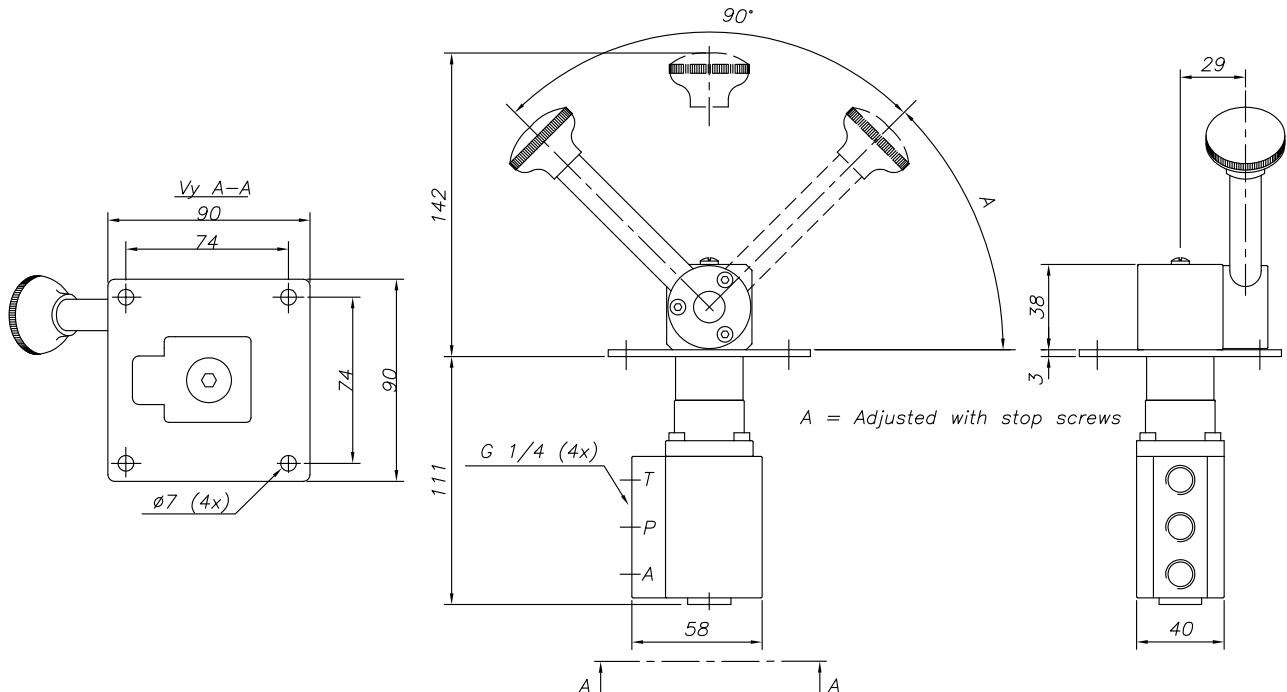
Hydraulic handvalve  
 Operating pressure, 20-30 Bar.  
 Regulated pressure, 5-17 Bar



### Selection table

Part no:		Description
876300	-002	Hydraulic handvalve, 5-17 Bar.
?	?	Other versions available on request

### Dimensions



Valve housing: aluminium, anodized. Lever: POM black.  
 Lever housing: aluminium, anodized black.  
 Sealings (o-rings): NBR,  
 Mounting plate: steel, galvanized black.  
 Weight: 750g.

Connections		
1	T	G 1/4"
2	P	G 1/4"
3	A	G 1/4"