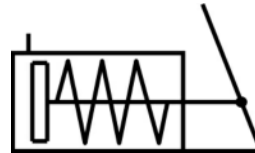


# HYDRAULIC CYLINDERS

## 8764xx cylinder

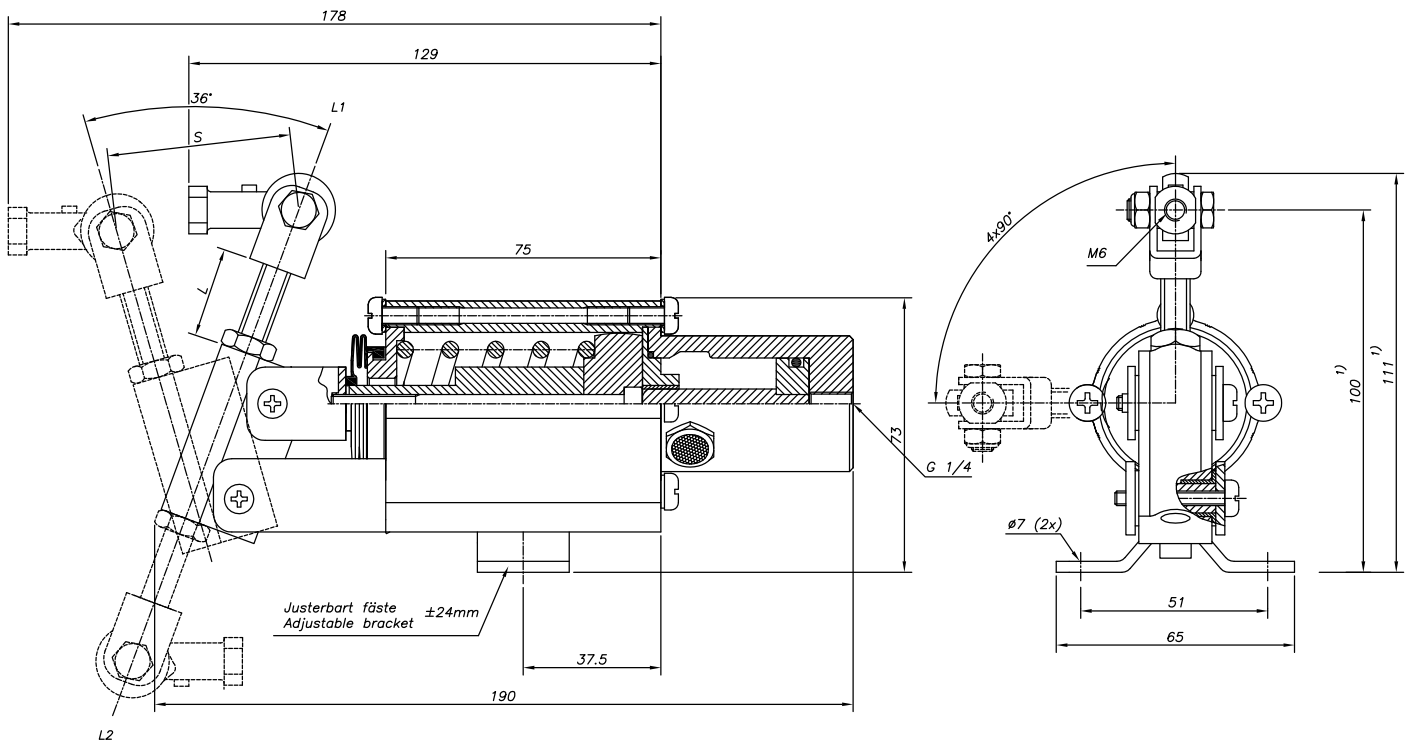
Cylinder series 8764xx.  
Operating pressure, 0-20 Bar.  
Spring return.



### Selection table

| Part no: |      | Description  |
|----------|------|--|
| 876400   | '004 | Full stroke at 12 bar, 1/4" connection.                |
| 876400   | '005 | Full stroke at 12 bar, 1/4" connection, Viton sealings |
| 876400   | '006 | Full stroke at 12 bar, 9/16-18 UNF" connection,        |
| —        | —    | —  |
| —        | —    | Other versions available, on request                   |

### Dimensions



Housing: aluminium, anodized.  
Sealings : NBR.  
Bracket and forks: stainless steel.  
Weight: 660g.