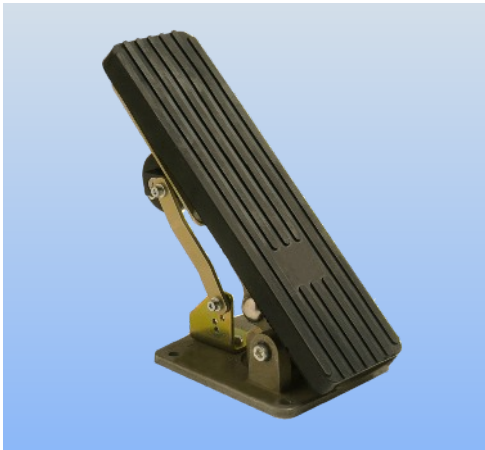


ELECTRONIC CONTROLS

Electronic pedal

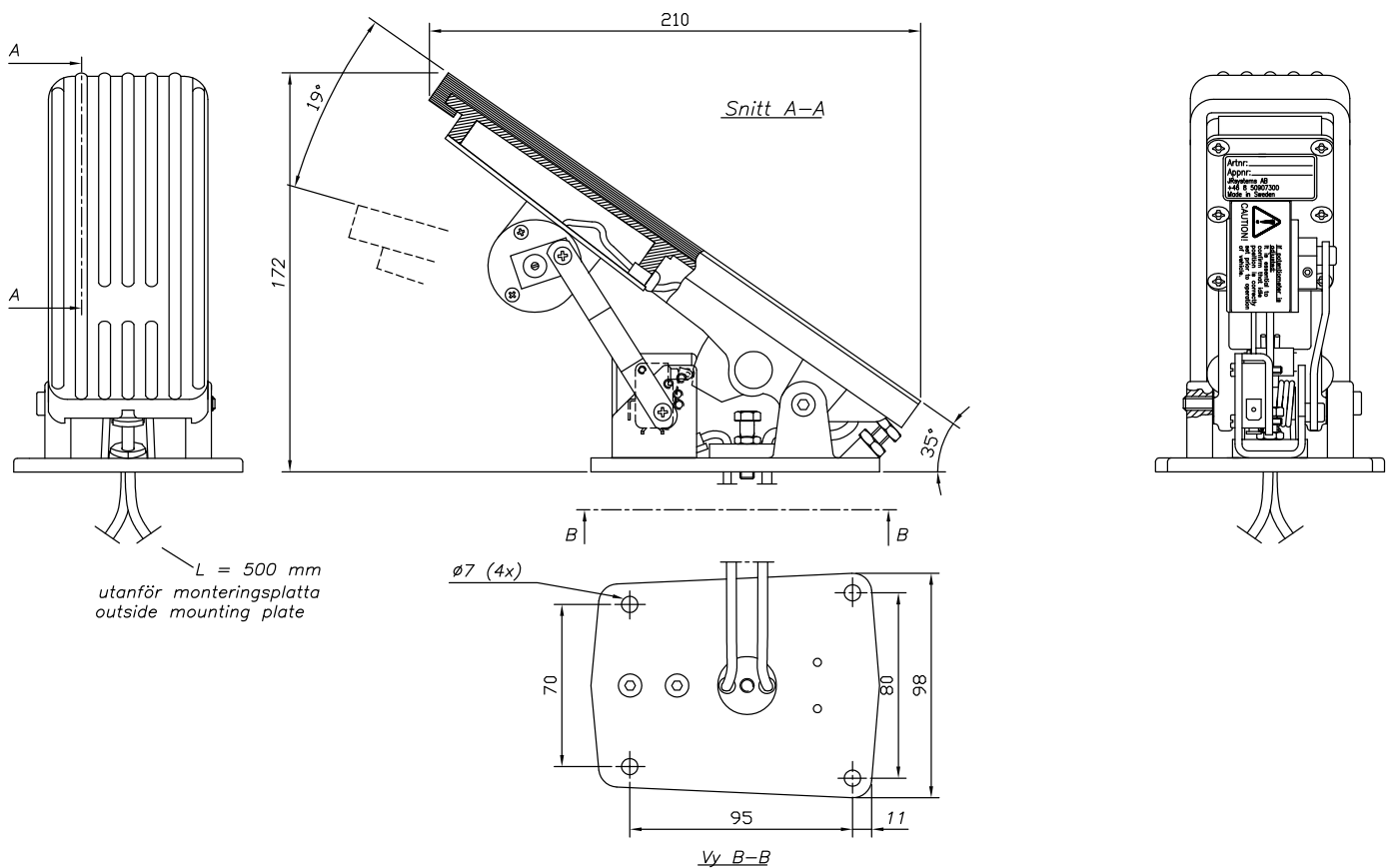
Pedal series 878xxx_xxx electronic.
Possible to combine with options, like a pneumatic or hydraulic valve, or a idle position switch.
The list below contains only a small portion of all possible variants of the pedal.



Selection table

Part no:		Description
878145	-101	Electronic pedal, angle 45, potentiometer output.
878245	-119	Electronic pedal, angle 45, regulated voltage output.
878345	-118	Electronic pedal, angle 45, PWM output (1,6A max).
?	?	Other versions available on request

Dimensions



Treadle assembly: aluminium, Microswitch cover: galvanized steel
Roller pin: stainless steel, Roller: brass, Plate rubber: chloroprene.
Weight: 1100-1500g, depending on variant.