

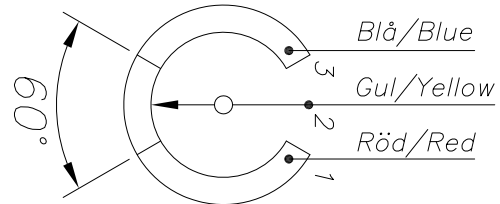
JOYSTICK

89026x Lever

Lever series 89026x.

Linear lever, with potentiometer.

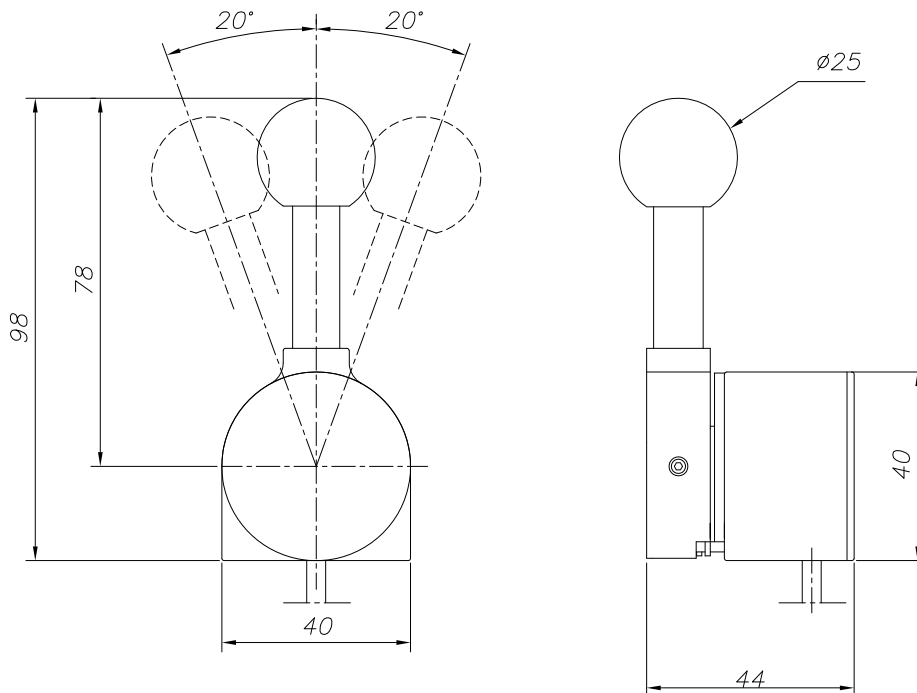
The potentiometer is manufactured with a conductive plastic track with great resolution and life expectancy.



Selection table

Part no:		Description
890261	–	Linear lever, with round knob (standard)
890264	–	Linear lever, without potentiometer
890265	–	Linear lever, with flat lever
890266	–	Linear lever, with bent lever 32 °
890267	–	Linear lever, with bent lever 11 °

Dimensions



Housing: aluminium, anodized black, Lever: aluminium or POM.
Sensor: potentiometer, conductive plastic, (long life).
Weight: 300g.