

# JOYSTICK

## 89080x Joystick

Joystick series 89070x.  
Potentiometer, and / or microswitch.

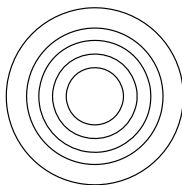
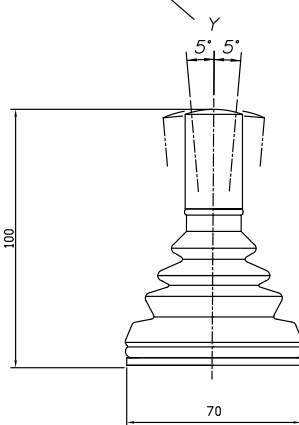


### Selection table

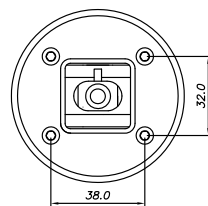
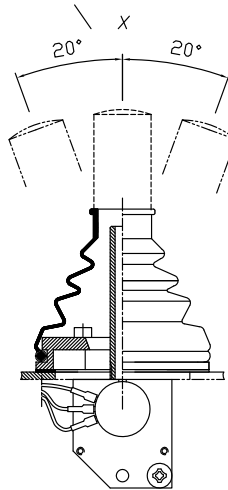
Part no:		Description
890800	–	Joystick - x potentiometer, Y / F-N- R
890801	–	Joystick - x- y potentiometer
890802	–	Joystick - x- y potentiometer locked gate
890804	–	Joystick - x- y potentiometer, with float pos.
–	–	–
–	–	–

### Dimensions

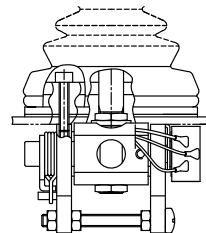
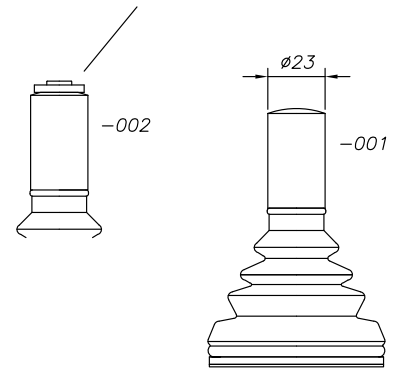
Lever movement, Forward–Neutral–Reverse



Lever movement, steering/joystick



Version with single button on top



Housing: aluminium, anodized. Bracket: steel black chrome.  
Springs: stainless steel. Lever: stainless steel, knob: POM.  
Sensor: Longlife potentiometer with conductive plastic track, or microswitch  
Weight: 500g.