

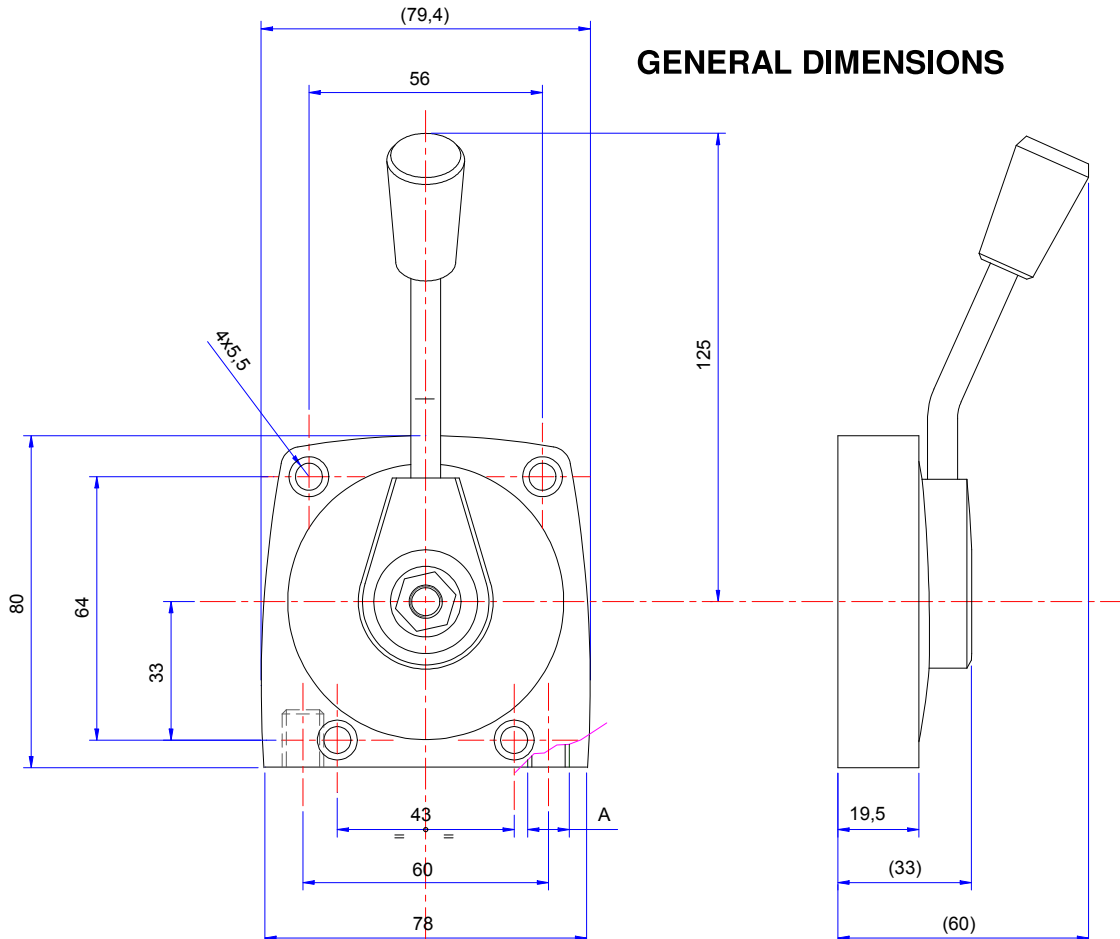
CONTROLS

CONTROL LEVER 410 series



SERIES 41022

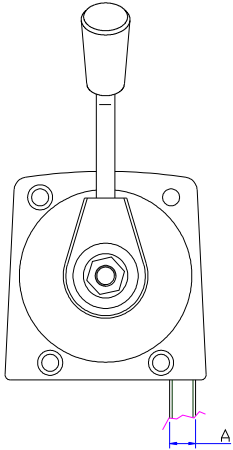
Control lever series 41022 is a Command device for side mounting with adjustable clutch. It is normally used for throttle control and engine stop, and it can work either in pull or push-pull. Control lever series 41022 is made of Aluminum components, and surface treatment is black paint.



CONTROLS

PART NO.

LEVER CODES



41022 . ** - * * - *

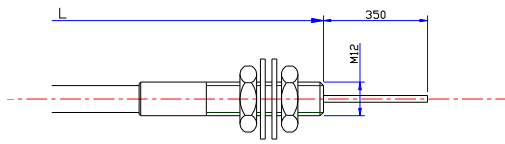
Thread A 10 - M10 30 - 1/8G	Type: 0 - push/pull 1 - pull	Lever: 0 - standard 1 - special	Cable position: 0 - right 1 - left
--	---	--	---

Example:

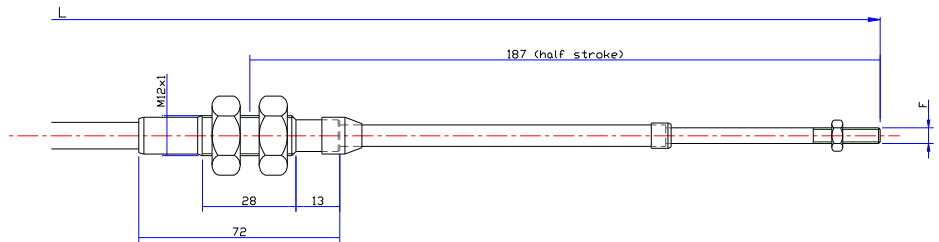
Lever 41022, A=M10, pull version, standard lever, cable in right position: 41022.10-11-0

CABLE CODES

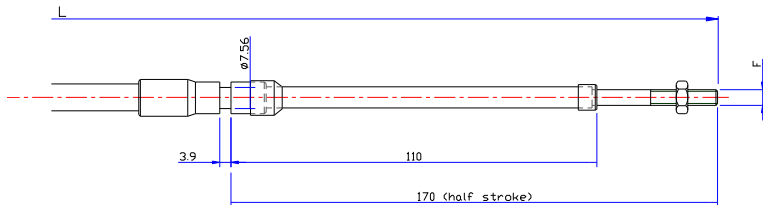
Type	A	Code
Push-pull	M10	0025114-LLLLL
Push-pull	1/8G	0025110-LLLLL
Pull	M10	0205114-LLLLL
Pull	1/8G	0205110-LLLLL



Type	A	F	Code
Push-pull	M10	10/32	0025118-LLLLL
Push-pull	1/8G	10/32	0025119-LLLLL
Push-pull	M10	M5	0025118-5-LLLLL
Push-pull	1/8G	M5	0025119-5-LLLLL



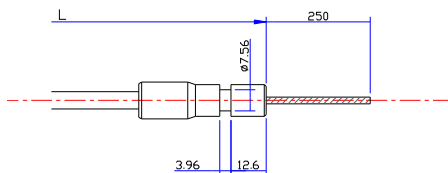
Type	A	F	Code
Push-pull	M10	10/32	0025116-LLLLL
Push-pull	1/8G	10/32	0025117-LLLLL
Push-pull	M10	M5	0025116-5-LLLLL
Push-pull	1/8G	M5	0025117-5-LLLLL



Type	A	Code
Pull	M10	02051111-LLLLL
Pull	1/8 G	0205113-LLLLL



Type	A	Code
Push-pull	M10	0025111-LLLLL
Push-pull	1/8G	0025115-LLLLL
Pull	M10	0205111-LLLLL
Pull	1/8G	0205115-LLLLL



Type	A	Code
Pull	M10	02051114-LLLLL
Pull	1/8 G	0205116-LLLLL

