

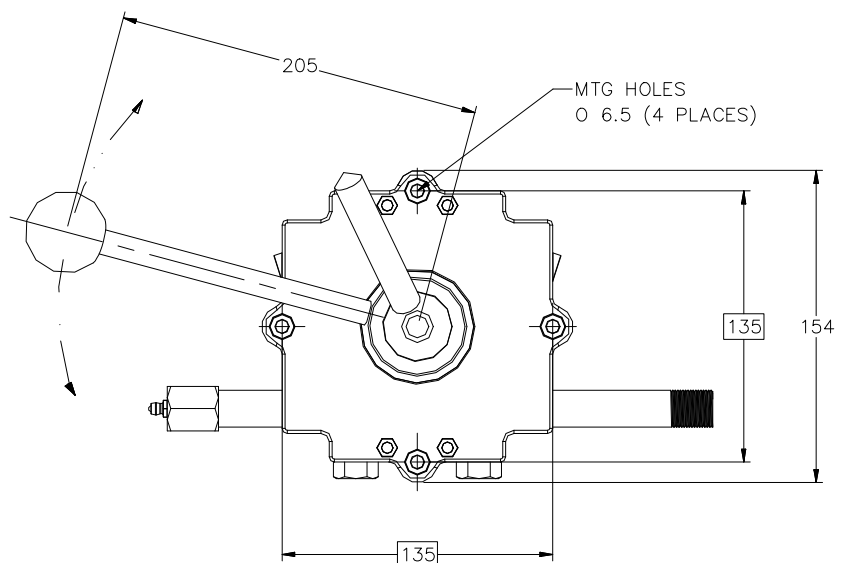
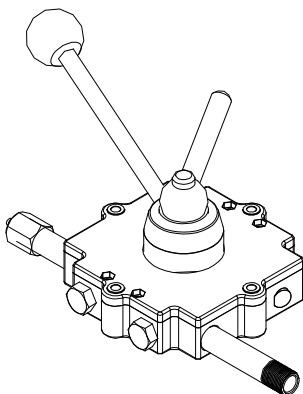
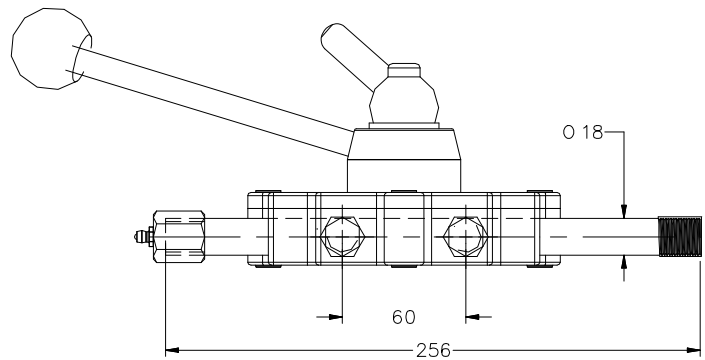
CONTROLS

HEAVY DUTY CONTROL LEVER WITH RACK

SINGLE CONTROL LEVER SERIES 920

A series of levers with a rack – pinion mechanism made using a specific design and material to make them robust, suitable for heavy duty applications.

The control levers with rack series 900 are particularly appropriate to be used on concrete mixers and vibrating machines .



CONTROLS

HEAVY DUTY CONTROL LEVER WITH RACK SINGLE CONTROL LEVER SERIES 930

